



REPLY TO  
ATTENTION OF

DEPARTMENT OF THE ARMY  
THE INSTITUTE OF HERALDRY  
9325 GUNSTON ROAD, ROOM S112  
FORT BELVOIR, VIRGINIA 22060-5579

MAR 14 2014

AAHS-IHS (840-10a)

MEMORANDUM FOR Commander, Special Operations Command North, ATTN: CSM  
Jeffery Stigall, 250 Vandenberg Street, Peterson Air Force Base, CO 80914

SUBJECT: Beret Flash and Background Trimming for the United States Army Element,  
Special Operations Command North

1. In accordance with the provisions of AR-670-1, a beret flash and background trimming are authorized for wear by members of the United States Army Element, Special Operations Command North.
2. The descriptions of the designs are as follows:

#### BERET FLASH

An ultramarine blue shield-shaped embroidered item with a semi-circular base 2 1/4 inches (5.72 cm) in height and 1 7/8 inches (4.76 cm) in width overall all within a 1/8 inch (.32 cm) red border.


#### BACKGROUND TRIMMING

An ultramarine blue oval-shaped embroidered item 1 3/8 inches (3.49 cm) in height and 2 1/4 inches (5.72 cm) in width overall all within a 1/8 inch (.32 cm) red border.

#### CABLE NUMBERS OF COLORS

Ultramarine Blue	#67118
Scarlet	#67111

3. This authorization does not grant exclusive use of the above colors and pattern design for the United States Army Element, Special Operations Command North.

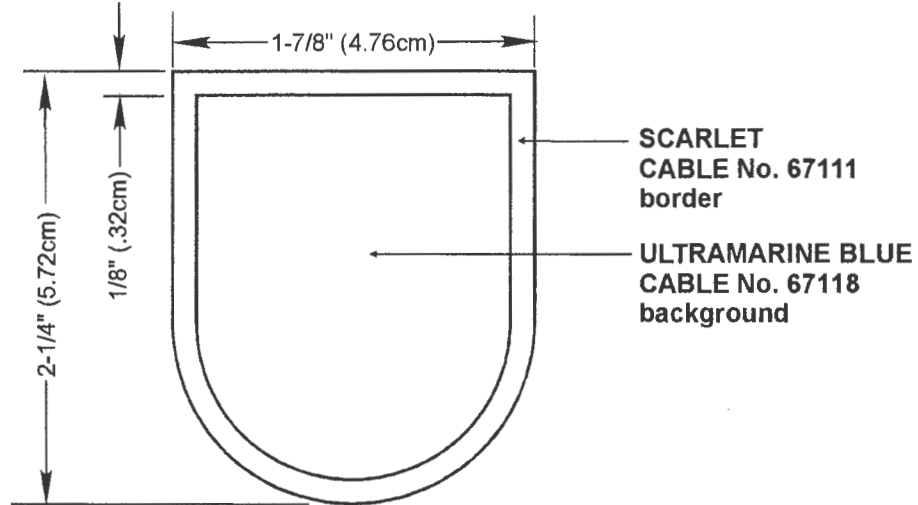
  
CHARLES V. MUGNO  
Director

CF: CMH

Enell

**REVISIONS**

LTR	DESCRIPTION	DATE	APPROVED
-----	-------------	------	----------



**DESIGNED FOR OVEREDGE STITCHING**

UNLESS OTHERWISE SPECIFIED DIMENSIONS ARE IN INCHES  
TOLERANCES ON FRACTIONS DECIMALS ANGLES

EXAMINED	TC	
CHECKED	AW	SAW
PREPARED	CLM	

APPROVED  
*Charles V. Mugno*  
CHARLES V. MUGNO  
DIRECTOR

THE INSTITUTE OF HERALDRY, DEPARTMENT OF THE ARMY  
9325 GUNSTON RD, RM S-113 FORT BELVOIR, VA 22060-5579

BERET FLASH FOR  
**USA ELEMENT SPECIAL OPERATIONS  
COMMAND NORTH**

SIZE CONTROL IDENT. NO  
**A 22571**

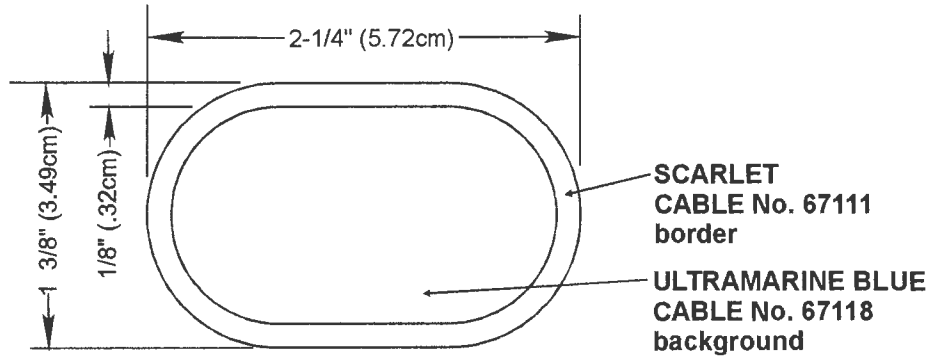
**A-4-292**

SCALE FULL DATE **10 MARCH 2014**

MATERIALS:  
TO BE MANUFACTURED IN ACCORDANCE WITH MIL-DTL-14652

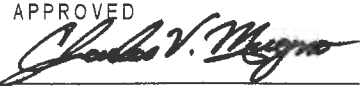
**REVISIONS**

LTR	DESCRIPTION	DATE	APPROVED
-----	-------------	------	----------



**DESIGNED FOR OVEREDGE STITCHING**

UNLESS OTHERWISE SPECIFIED DIMENSIONS ARE IN INCHES  
TOLERANCES ON FRACTIONS DECIMALS ANGLES

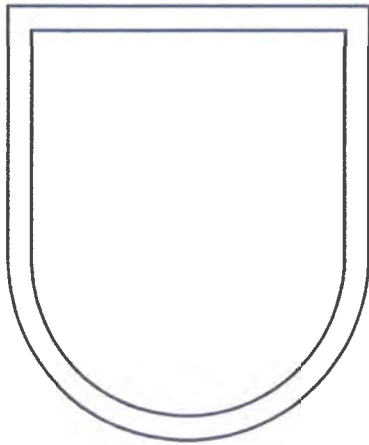
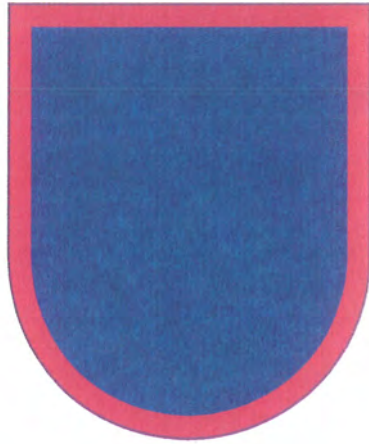
EXAMINED	TR
CHECKED	JW 500
PREPARED	CWS
APPROVED	 CHARLES V. MUGNO DIRECTOR

**THE INSTITUTE OF HERALDRY, DEPARTMENT OF THE ARMY**  
 9325 GUNSTON RD, RM S-113 FORT BELVOIR, VA 22060-5579

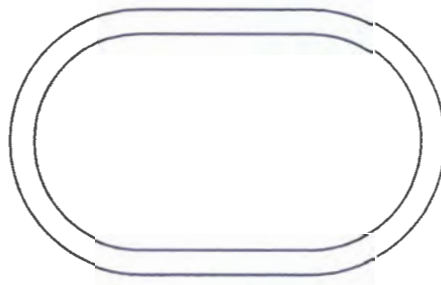
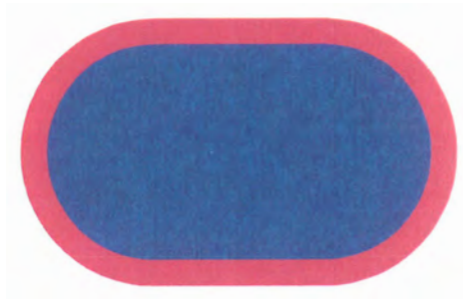
BACKGROUND TRIMMING FOR  
**USA ELEMENT SPECIAL OPERATIONS**  
**COMMAND NORTH**

SIZE <b>A</b>	CONTROL IDENT. NO <b>22571</b>	<b>A-6-318</b>
SCALE	FULL	DATE <b>10 MARCH 2014</b>

MATERIALS:  
 TO BE MANUFACTURED  
 IN ACCORDANCE WITH  
 MIL-DTL-14652



USA ELEMENT SPECIAL OPERATIONS COMMAND NORTH  
BERET FLASH



USA ELEMENT SPECIAL OPERATIONS COMMAND NORTH  
BACKGROUND TRIM